

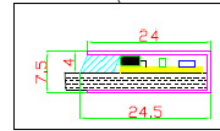
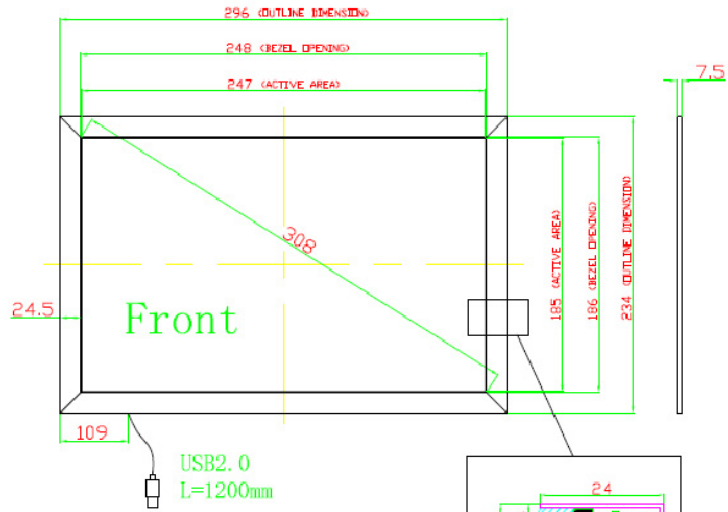
FORSA IR Touch Frame LCD

FORSA®



FORSA®

FORSA®



Section

Technical Specification

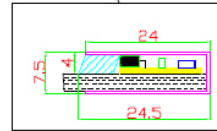
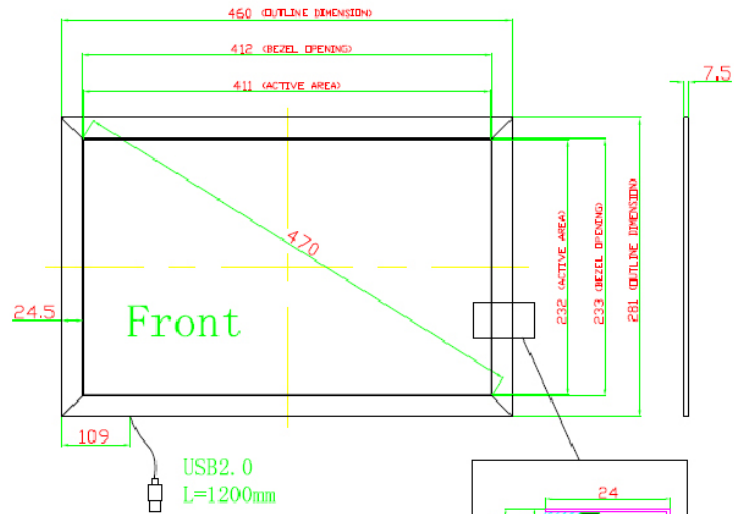
1. Active area: 247*185;
2. Bezel opening: 248*186;
3. Outline dimension: 296*234*7.5;
4. Glass thick:3mm;
5. Color:black;
6. Material: Al.

Rev: V1.00

DESIGNER	NAME	DATE	
CHECKED			
APPROVED			
	Product Name:	Part Name:	DRAW Name:
	Product No: TF1-SERIES	Size:	DRAW NO: TP1121110-A3-01
Unit: mm	SCALE: 1:1		Material: Al
ALL TOLERANCE: X:±1.0; .X:±0.5; .XX:±0.1			
ANGULAR TOLERANCE: .X:±1.0°			

12.1°	296	247	234	185	308	7.5	24.5	4:3
IT	A	B	C	D	F	High	Wide	Sc

FORSA®



Technical Specification

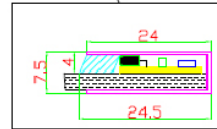
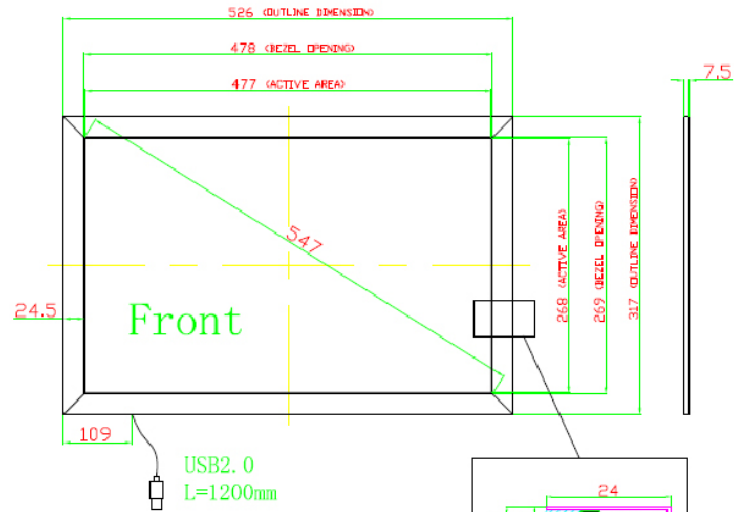
1. Active area: 411*232;
2. Bezel opening: 412*233;
3. Outline dimension: 460*281*7.5;
4. Glass thick:3mm;
5. Color:black;
6. Material: Al.

Rev: V1.00

DESIGNER	NAME	DATE	
CHECKED			
APPROVED			
	Product Name:	Part Name:	DRAW Name:
	Product No: TPI-SERIES	Size:	DRAW No: TPI18520-A3-01
Unit: mm	ALL TOLERANCE: X=±1.0; Y=±0.5; Z=±0.1		Material: Al
SCALE: 1:1	ANGULAR TOLERANCE: ±1.0°		

18.5"	460	411	281	232	470	7.5	24.5	16: 9
IT mm	A	B	C	D	F	High	Wide	Sc

FORSA®



Technical Specification

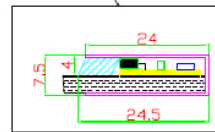
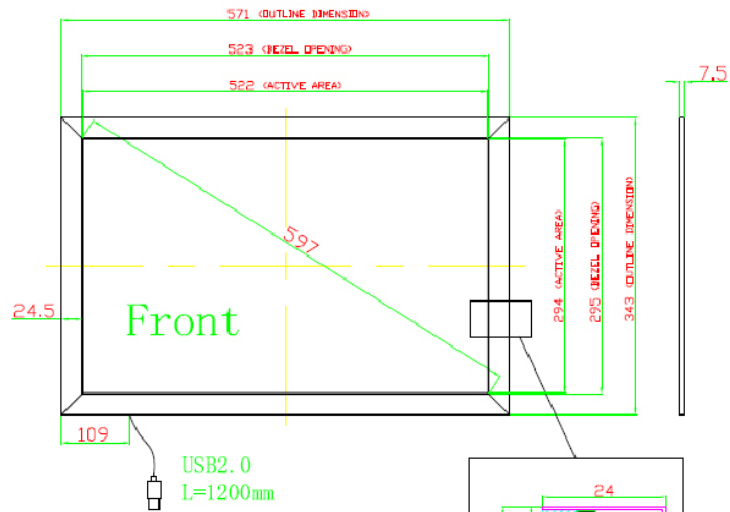
- 1.Active area: 477*268;
- 2.Bezel opening: 478*269;
- 3.Outline dimension: 526*317*7.5;
- 4.Glass thick:3mm;
- 5.Color:black;
- 6.Material: Al.

Rev: V1.00

DESIGNER	NAME	DATE	
CHECKED			
APPROVED			
	Product Name:	Part Name:	DRAW Name:
	Product No: TPI-SERIES	Size:	DRAW No: TPI2152U-A3-01
SCALE: 1:1	ALL TOLERANCE: X, Y=±1.0; Z=±0.5; XX=±0.1		Material: Al

21.5"	526	477	317	268	547	7.5	24.5	10: 9	Unit:
IT	A	B	C	D	F	High	Wide	Sc	mm

FORSA®



Technical Specification

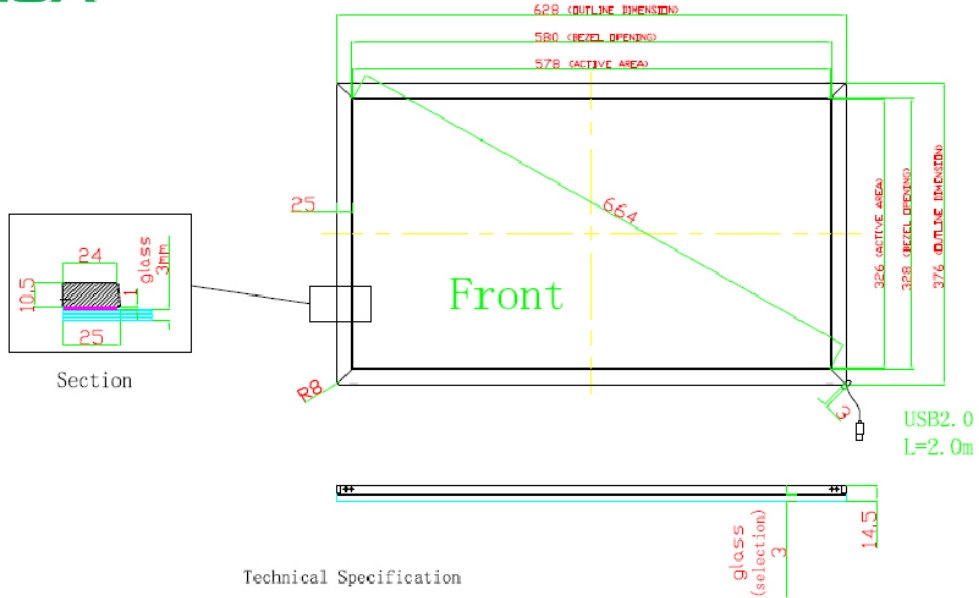
- 1.Active area: 522*294;
- 2.Bezel opening: 523*295;
- 3.Outline dimension: 571*343*7.5;
- 4.Glass thick:3mm;
- 5.Color:black;
- 6.Material: Al.

Rev: V1.00

DESIGNER	NAME	DATE	
CHECKED			
APPROVED			
Product Name:	Part Name:	DRAW Name:	
Unit:	Product No:	Size:	DRAW NO:
SCALE:	TPI-SERIES		TP12362U-A3-01
1:1	ALL TOLERANCE: X=±1.0; .X=±0.5; .XP=±0.1	Material:	Al
	ANGULAR TOLERANCE: .X=±1.0°		

23.6"	571	522	343	294	597	7.5	24.5	10; 9
IT	A	B	C	D	F	High	Wide	Sc

FORSA®



Technical Specification

1. Active area : 578*326;
2. Bezel opening: 580*328;
3. Outline dimension: 628*376*14.5;
4. With 3mm glass(selection);
5. Color:black;
6. Material:Al.

Rev: V1.00

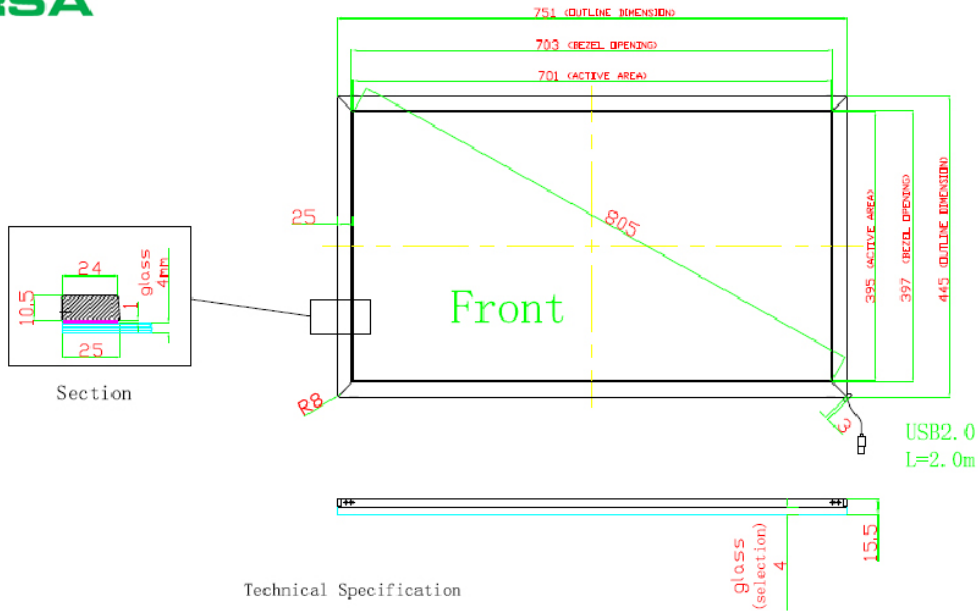
DESIGNER	NAME	DATE

Product Name:	Part Name:	Draw Name:
Unit:	Product No: TTD-A-SERIES	Size: A*CHH
Scale: 1:1	ALL TOLERANCE: X, =±1.0; B=±0.5; XX=±0.1	Material: A1-6063
	ANGULAR TOLERANCE: X=±1.0°	

26"	628	578	376	326	664	14.5	25	16:9
IT/mm	A	B	C	D	F	High	Wide	Sc

Draw No: TTD2602U-A3-01

FORSA®



Technical Specification

- 1.Active area : 701*395;
- 2.Bezel opening: 703*397;
- 3.Outline dimension: 751*445*15.5;
- 4.With 4mm glass(selection);
- 5.Color:black;
- 6.Material:Al.

Rev: V1.00

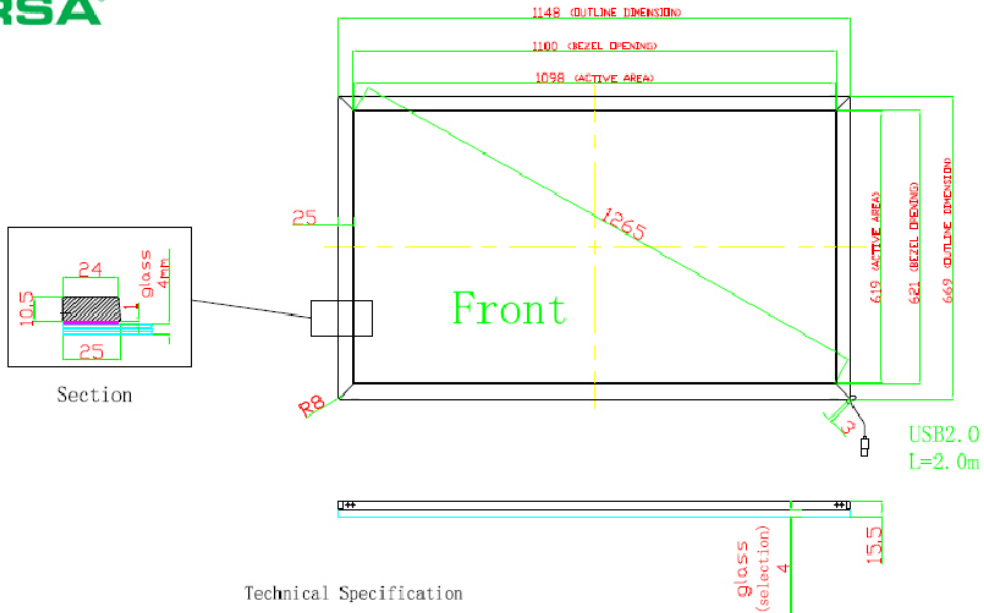
DESIGNER	NAME	DATE
CHECKED		
APPROVED		

Product Name:	Part Name:	DRAW Name:
---------------	------------	------------

Unit: mm	Product No: TTD-A-SERIES	Size: A*C#H	DRAW No: TTD32020-A4-01
SCALE: 1:1	ALL TOLERANCE: X=±1.0; Y=±0.5; Z=±0.1		Material: Al=3063
	ANGULAR TOLERANCE: ±1.0°		

32"	751	701	445	395	805	15.5	25	16:9
IT	A	B	C	D	F	High	Wide	Sc

FORSA®



Technical Specification

1. Active area : 1098*619;
2. Bezel opening: 1100*621;
3. Outline dimension: 1148*669*15.5;
4. With 4mm glass(selection);
5. Color:black;
6. Material:Al.

Rev: V1.00

DESIGNER	NAME	DATE
CHECKED		
APPROVED		
Product Name:		Part Name:
Product NO:		Size:
TTD-A-SERIES		A*CH
SCALE: 1:1		Material: A1-6063

50°	1148	1098	669	619	1265	15.5	25	16:9	Units:	Product NO:	Size:	DRAW NO:
IT	A	B	C	D	F	High	Wide	Se	mm	TTD-A-SERIES	A*CH	TTD5002U-A4-02



IR Touch Frame LCD

Specification

Size	12"	15"	15.6"	17"	18.5"	21.5"	23.6"	26"	32"	37"	40"	42"	50"	60"
Ratio	4:3	16:9	4:3	16:9										
The material of frame	Aluminum alloy													
The color of appearance	Black													
Touch type	Single-touch、two point touch													
Operating systems support	Windows XP/2000/2003/Vista/Wind 7/8, Android, Linux													
Glass	Thickness3-5mm,tempered glass													
The interpolation resolution	4096x4096													
Response	≤15ms													
The accuracy of the touch	over 90% area(±2mm)													
Input form	Finger,glove hand ,or Opaque objects													
Output form	Coordinate output													
The theory of clicks	Unlimited times													
The smallest touch objects	5mm													
The type of the interface	USB													
Temperature	Operating temperature:-10°C~50°C													
	Storage temperature:-20°C~60°C													
Humidity	Operating humidity:10%~ 85% RH, no condensation													
	Storage humidity:10%~ 90% RH, no condensation													

Electronic characteristics

USB	Terminal type	Type A USB
	Communication interface type	USB-D+ and USB-D
	Transmission speed	12Mbps
	signal	+5V,D-,D+,GND
Power supply	USB	
Working voltage	DC+5V±5%	
Operation current	<200mA	

Reliability

Items	Test conditions	Decision criteria
Working in high temperature, humidity	Temperature : 50°C, Humidity : 85%RH(no condensation), 24 Hours of continuous working	Property normal
Working in low temperature	Temperature -10°C, 24 Hours of continuous work	Property normal
Storage in Low temperature	Temperature : -20°C,Placed at room temperature for 2 hours	Property normal
Storage in High temperature, humidity	Temperature : 60°C, Humidity : 90%RH(no condensation), placed at room	Property normal
USB plug test	Windows7 and Windows XP plug 2000 times each	Work normally